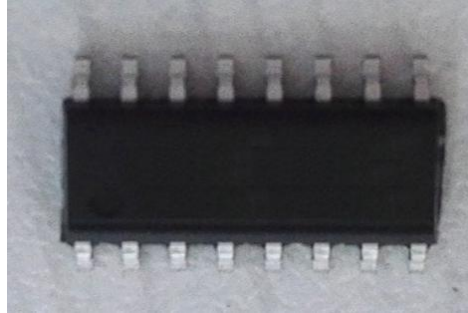


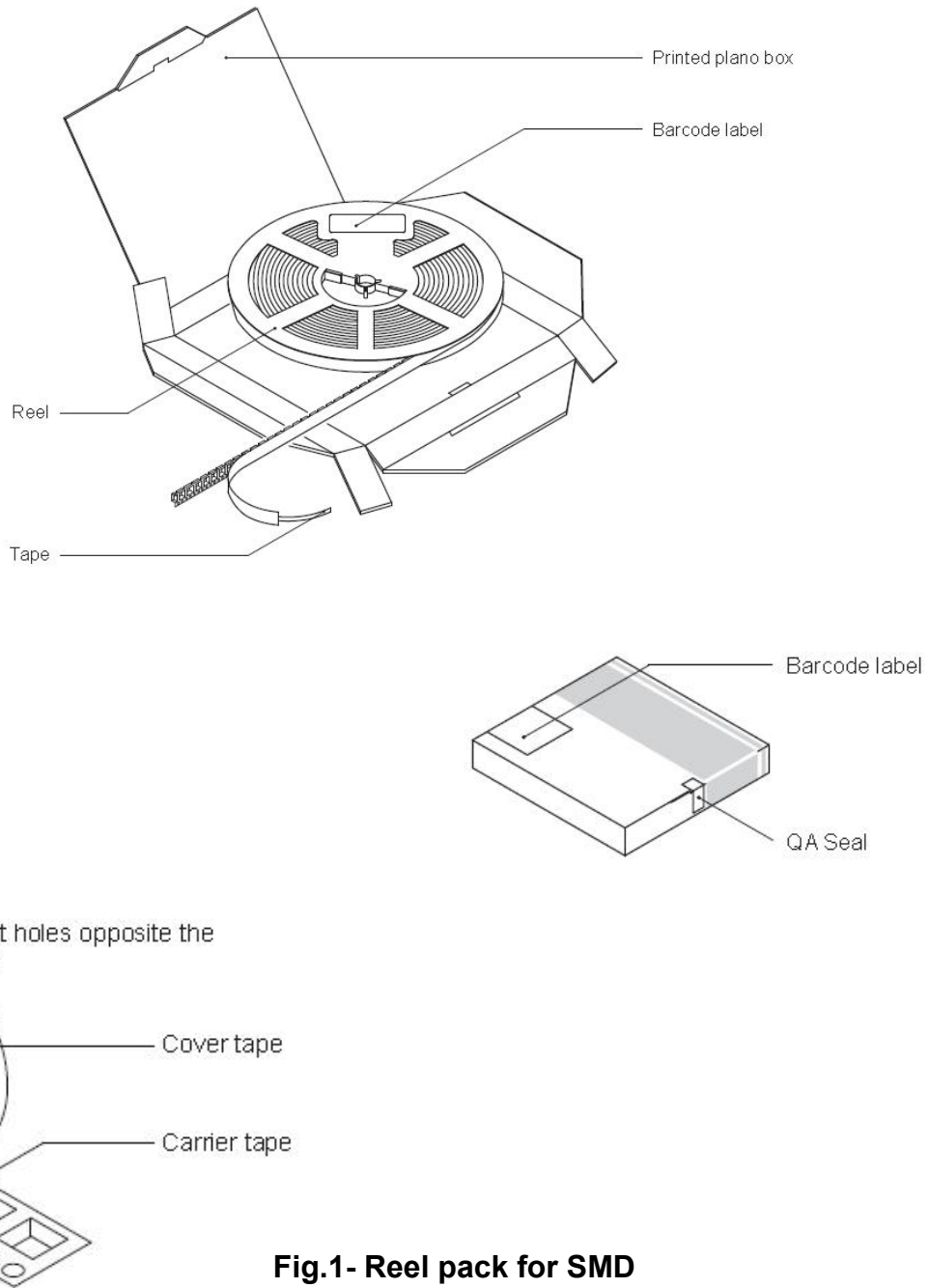
# SO-16 Packing information

B029, Rev. -

## 1. Finish Goods PKG photo



## 2. Packing method



**Fig.1- Reel pack for SMD**

Table 1. Packing information

Package version	Reel dimensions $\phi \times H$ (mm)	Per reel (pcs)	Reels per box	Inner box dimensions L×W×H (mm)	Inner box weight (Kg)	Outer box weight (Kg)
SO-16	$\Phi 330 \times 21.6$	2500	1	335×335×45	1.02	8.5

3. Product orientation

Standard product orientation SO-16



←  
direction of feed

Fig 2. Product orientation in carrier tape

4. Carrier tape dimensions (In mm)

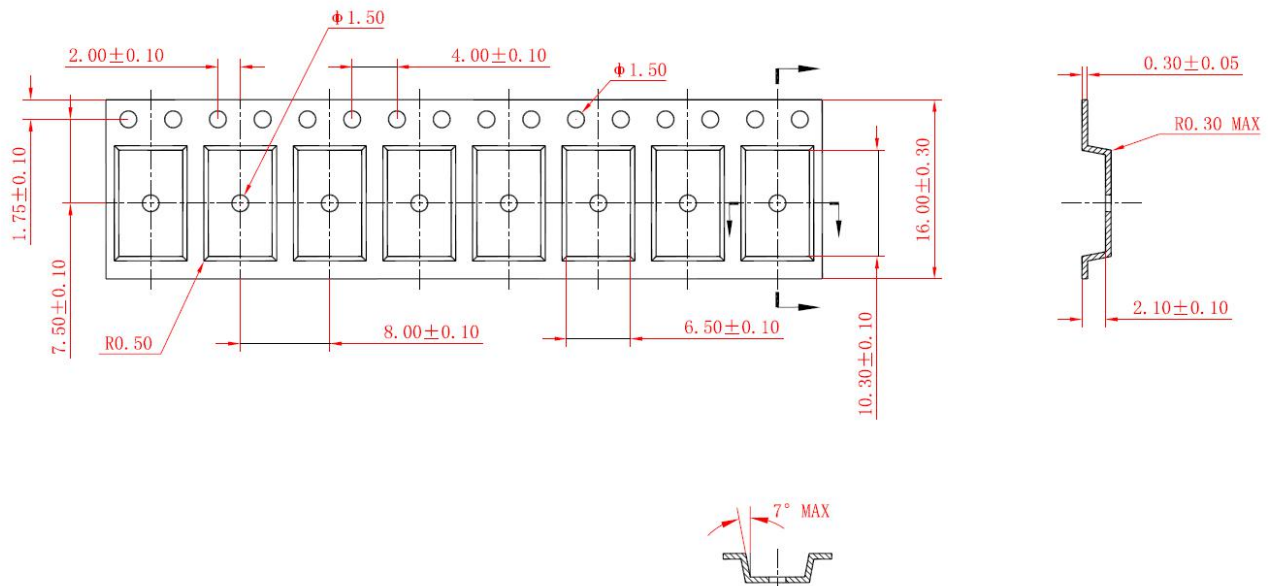


Fig 3. Carrier tape dimensions

5. Reel dimensions (In mm)

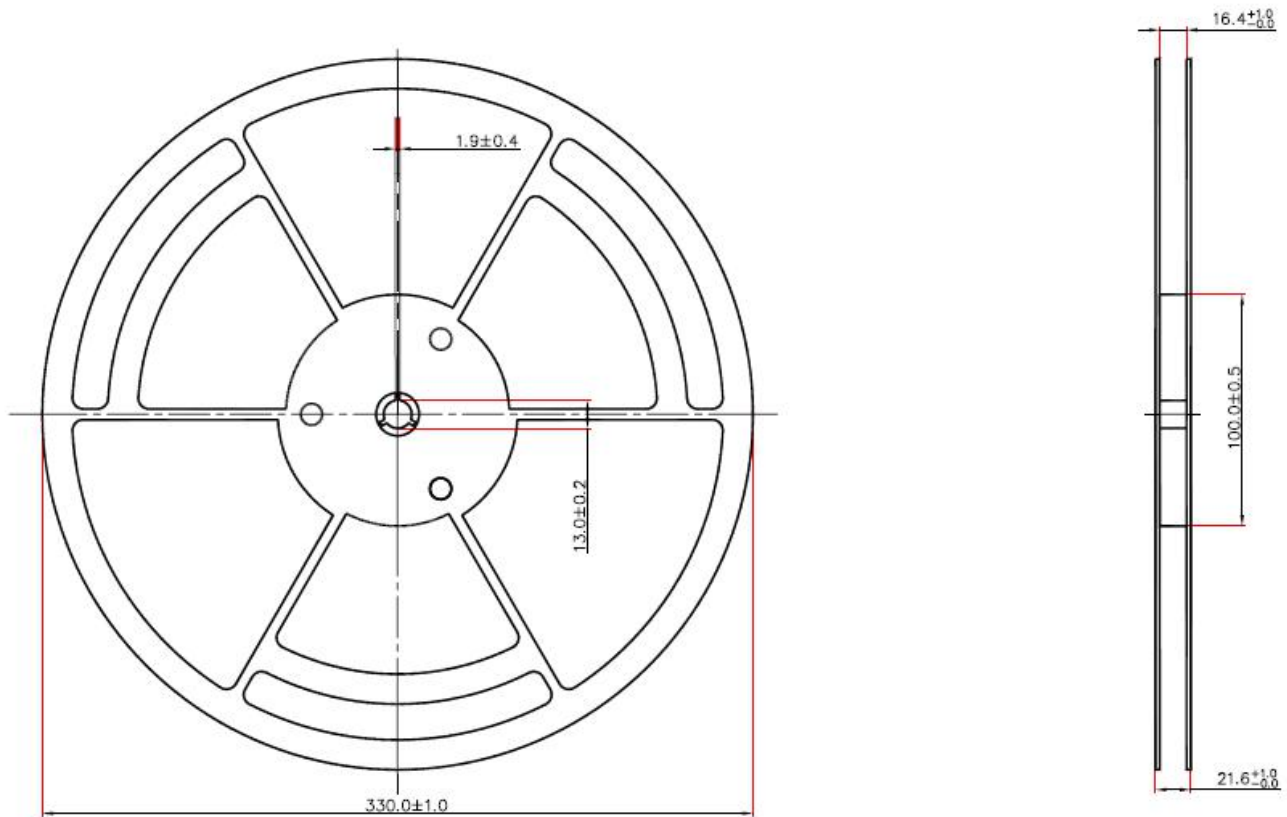


Fig 4. Reel dimensions